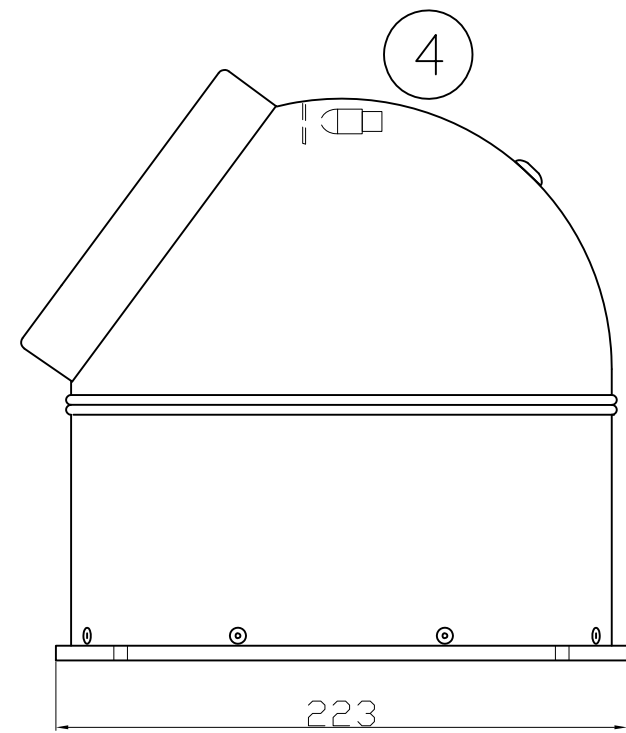
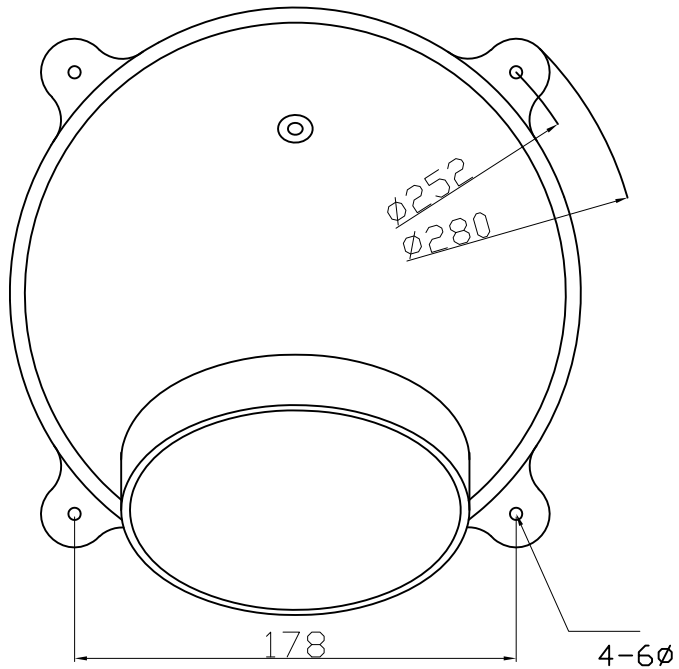


282±5



223



| | | | |
|----|----------------|--------|-----|
| 4 | 24V BULB | 24V電球 | 1 |
| 3 | COMPASS BOWL | コンパス羅盆 | 1 |
| 2 | PEEPING WINDOW | のぞき窓 | 1 |
| 1 | HELMET | ヘルメット | 1 |
| NO | PARTS | PARTS | QTY |

| | | | |
|---------------------------------|-------|-------|----------|
| DATE | CHECK | DRAWN | BINNACLE |
| 2014-4 | | YUKIO | FS-130 |
| DAIKO KEIKI SEISAKUSHO CO.,LTD. | | | FS130-1 |